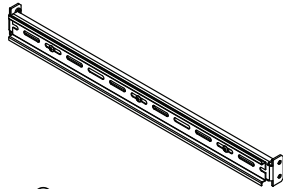


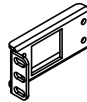
IRP1013D10 1U DIN Rail Panel Installation

Included in this package

(1) 1U Din Rail Main Panel.



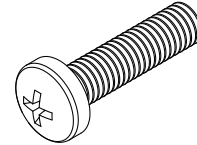
(2) 1U Ear Bracket



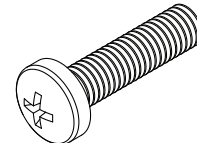
(4) M4 x 8 Screws



(4) #10-32 x 5/8 Rack Screws

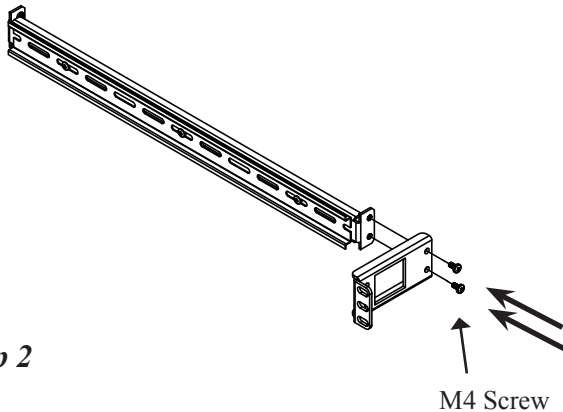


(4) #12-24 x 5/8 Rack Screws

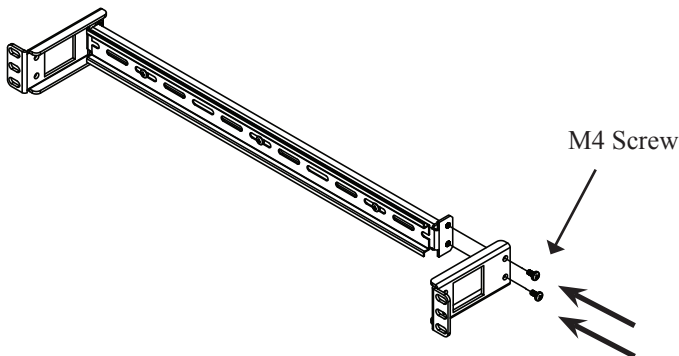


Installation Steps

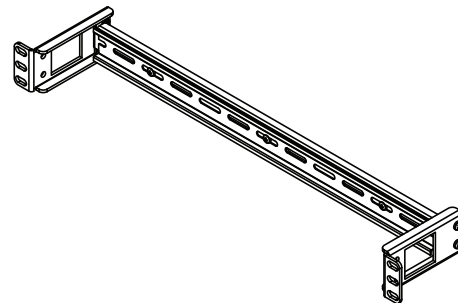
Step 1



Step 2



Step 3



Assembly Complete.